

OpenAir™ GJD Series Electronic Damper Actuators for UL Listed Fire/Smoke and Smoke Control Dampers 2-Position, 30-second Run Time, 15-second Spring Return Time

Product Number	Operating Voltage			3-ft Plenum Cable	EFL Capability	Two Fixed Auxiliary Switches
	24 Vac ± 20%, 24 Vdc + 20%, - 10%	120 Vac ± 10%,	230 Vac ± 10%,			
GJD121.1U	•			•	•	
GJD126.1U	•			•	•	•
GJD221.1U		•		•	•	
GJD226.1U		•		•	•	•
GJD321.1U			•	•	•	
GJD326.1U			•	•	•	•

Description

The OpenAir direct-coupled, 2-position, spring return electronic damper actuators are UL listed for smoke control dampers or for combination fire/smoke rated dampers. Actuators are designed to operate reliably in smoke control systems requiring Underwriter's Laboratories, Inc. UL555/555S rating when tested as an assembly with the damper and will meet requirements of UBC for 30-second opening and 15-second closing at 250°F (121°C).



Technical Data

Torque:	20 lb-in (2 Nm) (minimum)
Stall Torque:	35 lb-in (4 Nm) (minimum)
Run time for 90°:	30 seconds (nominal)
Spring Return:	15 seconds (maximum)
Nominal angle of rotation:	95°
Operating voltage:	24 Vac ±20%/ 24Vdc+20%-10% 120 Vac ±10%/ 230 Vac ±10%

CAUTION:
Continuous use at voltages above the recommended tolerances may damage the actuator.

	Running	Holding
Power Consumption:		
GJD12x.1U, GJD22x.1U:	~10VA/5.0 W	~5VA/3.0 W
GJD32x.1U:	~12VA/5.0 W	~7VA/3.0 W
Damper shaft size:	1/2-inch (13 mm) round	
Damper shaft length, minimum:	1.4-inch (36 mm) min. length	
Agency listings:	UL60730 cUL CSA 60730 CE conformity for Residential, Commercial, and Industrial environments.	

Ambient temperature, operating:	0°F to 130°F (-18°C to 55°C), 250°F (121°C) one time per UL555S
Ambient temperature, storage/transport:	-40°F to 158°F (-40°C to 70°C)
Ambient humidity (non-condensing):	Maximum 95% rh non-condensing
Plenum-rated cable:	400°F (200°C)
Enclosure:	NEMA 1/IP40
Housing material:	Plenum-rated plastic
Pre-cabled connection:	18 AWG, 3 ft 3 x 3/8-in flexible conduit connector
Dimensions (Approximate):	5.61" H x 2.83" W x 2.48" D (142.6 mm H x 72 mm W x 63 mm D)
Weight:	1.32 lbs. (0.60 kg)
Country of Origin	USA

Features

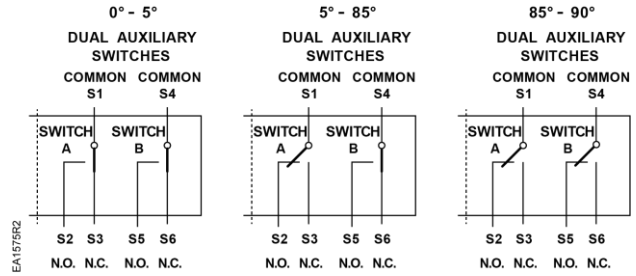
- Optional built-in auxiliary switches with fixed switch points at 5° and 85° rotation.
- Built-in Electronic Fusible Link (EFL) capability with three temperature ratings; 165°F, 212°F, and 250°F
- Reversible, fail-safe spring return
- Plenum-rated
- Pre-cabled
- 30-second operation at rated torque, temperature, and voltage
- Fixed Dual End Switches
24 Vdc, 24 Vac to 250 Vac
6A resistive
2FLA/12 LRA
SPST
Fixed 5° and 85°

Accessories

Electronic Fuse Link (24 Vac)	
ASK791.165	165°F (74°C)
ASK791.212	212°F (100°F)
ASK791.250	250°F (121°C)

Maintenance

The National Fire Protection Association NFPA 92A Standard for Recommended Practice for Smoke-Control System and UL 864 Standard for Control Units and Accessories for Fire Alarm Systems, require weekly self-test for **dedicated** smoke control equipment used in a smoke control system. The National Fire Protection Association NFPA 72 Standard for National Fire Alarm Codes states that all life safety systems are to be functionally checked at least annually. The GJD actuator is designed such that no special cycling during long-term holding is required. The GJD actuator complies with the AMCA Standard 520 testing revision.



Electronic Fusible Link

Wiring Diagrams

NOTE: Actuators may be connected in parallel. Power consumption must be observed.

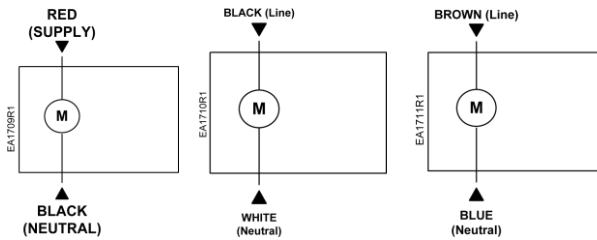


Figure 1.
24 Vac/dc.

Figure 2
120 Vac.

Figure 3.
230 Vac.

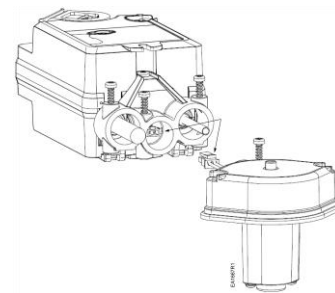


Figure 4. GJD Actuator and EFL.

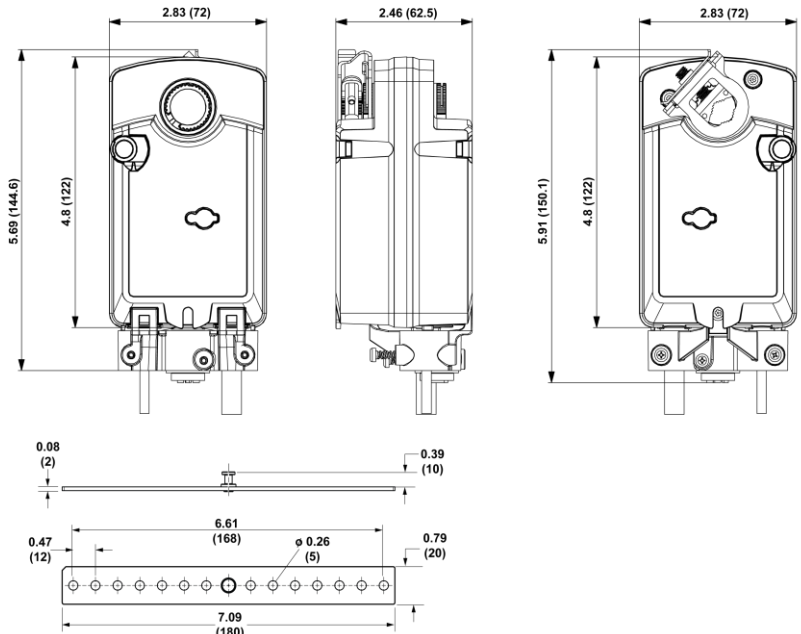


Figure 5. GJD Series Damper Actuator and Mounting Bracket Dimensions in Inches (Millimeters).

Information in this publication is based on current specifications. The company reserves the right to make changes in specifications and models as design improvements are introduced. OpenAir is a trademark of Siemens Schweiz AG. Teflon is a trademark of Dupont. Other product or company names mentioned herein may be the trademarks of their respective owners. © 20202 Siemens Industry, Inc.